

PARTHOS

Technical information



Other documents available for this product

Cable management guidelines for conference and meeting tables

Quality standard

LST EN 15372:2017 (Level 2)
LST EN 1730:2012

10 year Warranty

See Warranty statement



Technical information

Types

- Meeting table (1)
- High meeting table (2)
- Coffee table (3)

Tabletop

MFC (melamine)

- 25 mm with 2 mm ABS edging;
- The corners of the tabletop are rounded: R=2 mm;
- With or without a cut-out for a grommet and power socket;
- Round and obround shaped.

MDF covered in HPL

- 26 mm MDF covered in HPL with sloping painted edges;
- Sloping painted edges: white, black or grey colour;
- The bottom edges of the tabletop are sloped 11°;
- With or without a cut-out for a grommet and power socket;
- Round and obround shaped.

Column structure

- The top cover is made of 36 mm MFC (melamine) with 2 mm ABS edging;
- Cover made of PET fiber board, 9 mm, with a vertical pattern;
- Welded metal frame made of 20x20 mm metal tube, 2 mm and 3 mm thickness of the metal sheets;
- Powder-coated metal;
- Base made of 36 mm MFC (melamine) with 2 mm ABS edging;
- Concrete counterweights;
- Adjustable height levelling feet, H=9 – 14 mm, 6 pcs.

Metal frame (under tabletop)

- Welded metal frame made of 40x20 mm metal tube;
- Powder coated metal.

1



2



3



PET felt cable tray (for two and three column tables)

- PET fiber board of a 9 mm thickness;
- Bent metal sheet of a 1 mm thickness;
- Powder-coated metal.

Electrical accessories

Rectangular grommet with a metal frame

- 16 mm MFC (melamine) or 17 mm MDF covered in HPL covers, matched with the tabletop;
- Grommet dimensions – 313x146x27 mm;
- Spot welded metal frame made of 1 and 3 mm thick metal sheets;
- Powder coated metal;
- Two opening directions.

Power unit (for one column tables)

- Power unit 100 – 240 V;
- Power unit standards: EU, FR, UK, CH, US;
- The hardwired power cord to GST18i3 1300 mm.

Available configurations of the power units (for one column tables)

- 3 x AC power sockets;
- 2 x AC power sockets, USB fast charger (USB fast charger type-A and type-C (5A));
- 3 x AC power sockets, wireless charger (10W) (except US market);
- 2 x AC power sockets, 1 x USB fast charger type-A and type-C (5A), wireless charger (10W) (except the US market).

Power units (for two and three column tables)

- Power socket 100 – 240 V;
- Power socket standards: EU, FR, UK, CH, US.

Available configurations of power units (for two and three column tables)

- 3-GANG – 3 x AC power sockets (except the US market);
- 3-GANG – 2 x AC power sockets and 1 LAN outlet (CAT6 RJ45) with a 2 m fly-lead;
- 3-GANG – 2 x AC power sockets and 1 x USB fast charger type-A and type-C;

- 3-GANG – 1 x AC power socket and 1 x USB fast charger type-A and type-C (5A), 1 LAN outlet (CAT6 RJ45) with a 2 m flylead.
- 4-GANG – 3 x AC power sockets and 1 x USB fast charger type-A and type-C (5A) (only for US market);
- 4-GANG – 3 x AC power socket and 2 x RJ45 socket (only for the US market);
- 4-GANG – 3 x AC power sockets and 1 x HDMI socket (only for the US market);
- 4-GANG – 2 x AC power sockets, 1 x USB fast charger type-A and type-C (5A), 1 x HDMI, 2 x LAN (only for the US market).

Power supply cables

- AC plug – GST18i3 female connector;
- AC plug standards: EU, UK, FR, CH, US;
- Cable lengths: 1 m and 3 m;
- Cable core: 1,5 mm² (EU, FR, UK, CH);
- Inline overcurrent protection (OCP 10A) (for the CH market);
- Cable core: 14AWG (for the US market);
- Inline overcurrent protection (OCP 15A) (for the US market);
- Inline overcurrent protection fulfils the statutory requirements: in the USA for more than 3 sockets, in Switzerland for more than 1 socket;
- Black colour.

Extension cables

- GST18i3 female connector – GST18i3 male connector;
- Cable lengths: 1 m, 2 m and 3 m;
- Cable core: 1,5 mm² (EU, FR, UK, CH);
- Cable core: 14AWG (for the US market)
- Black colour.

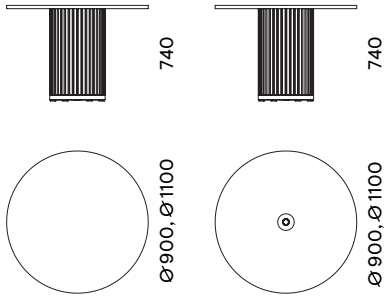
Extension cables sets (for two and three column tables)

- Distributor block: GST18i3 1-2 block (1 IN (male), 2 OUT (female));
- Extension cables: GST18i3 female connector – GST18i3 male connector;
- Cable lengths: 1 m, 2 m or 3 m.

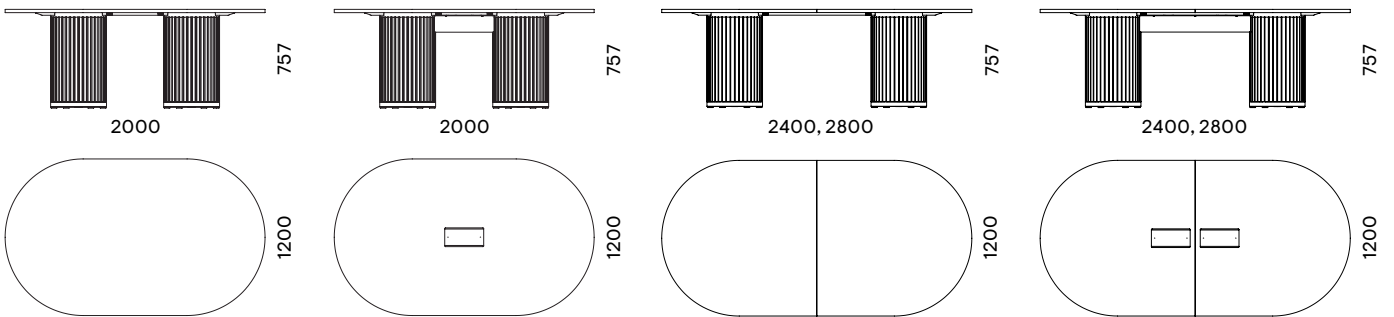
Range

Meeting tables

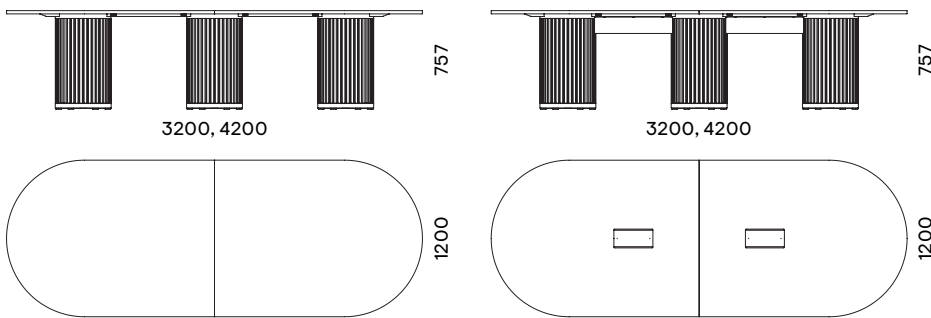
4 / 5 seats



6 / 8 seats

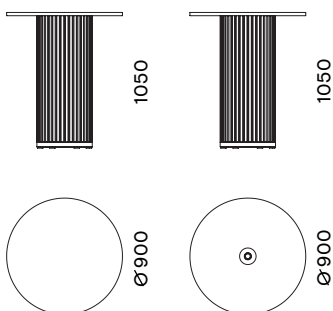


10 / 12 seats

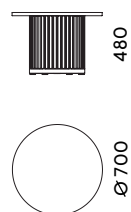


High meeting tables

4 seats



Coffee table

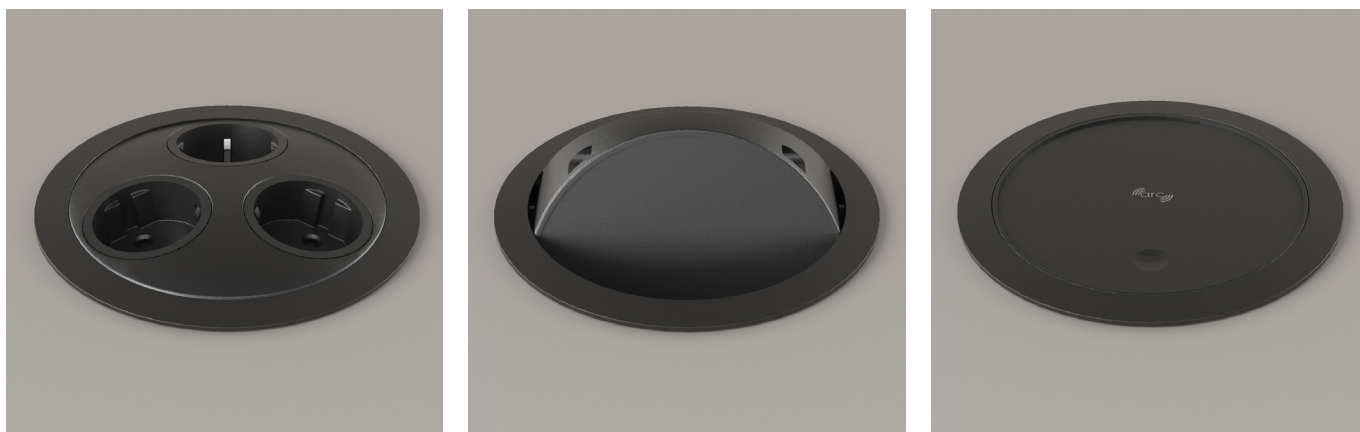


Additional information

- Two types of tabletops are available for the PARTHOS meeting tables: melamine with ABS edging; and HPL with sloping painted edges.



- The metal table grommet and power units are not included. The metal table grommet, power unit, set of extension cables and power supply cable must be ordered separately.
- Power unit with a wireless function must be flipped to access the wireless charger.



- Slight PET felt colour deviations can occur due to the use of recycled materials in the production of the product. Some undyed fibers may be present on the surface of the product.