

CANNIE

Technical information



10 year Warranty

See Warranty statement

Seat

Legs

Footrest

Glides



Technical information

Types

- High stool (1)
- Medium high stool (2)
- Stool (3)

Seat

- Seat outer cover made of 100% post industrial waste PA (nylon) plastic, reinforced with fiberglass;
- Upholstery plate made of 100% post industrial waste ABS (acrylonitrile butadiene styrene) plastic;
- Upholstered seat made of moulded polyurethane (PU) and upholstered with fabric or leather look.

Legs

- Wooden legs;
- Lacquered natural or lacquered and stained black ash solid wood;
- Fixed with metal fittings.

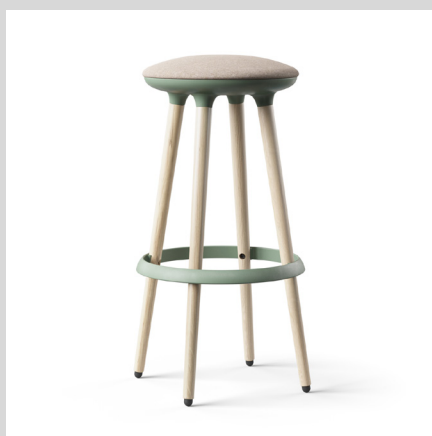
Footrest

- Fixed height, made of 100% post industrial waste PA (nylon) plastic, reinforced with fiberglass;
- Fixed with metal fittings.

Glides

- Round glides for soft and hard floors.

1



2

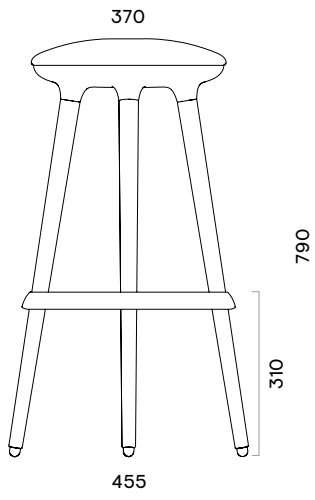


3

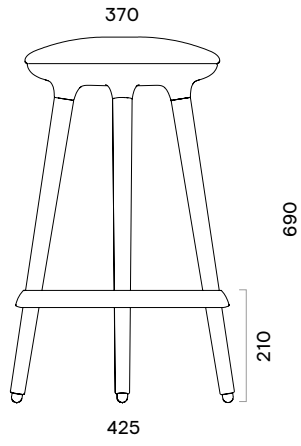


Range

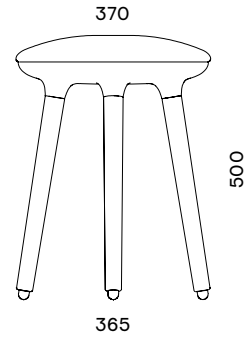
High stool*



Medium high stool*



Stool*



*Maximum load – 110 kg.